
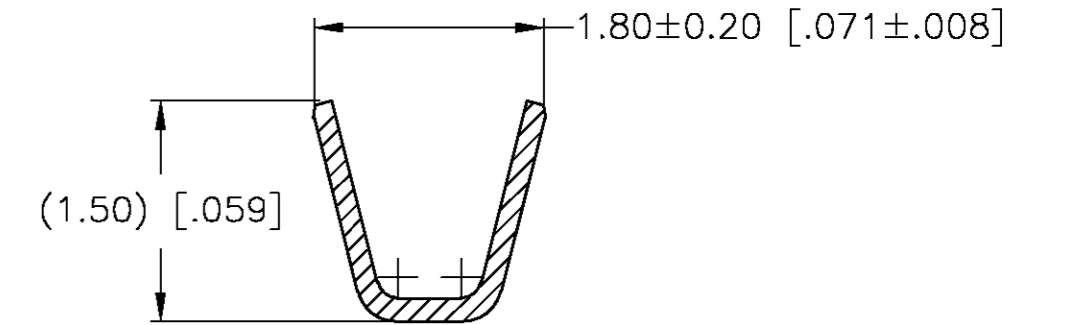
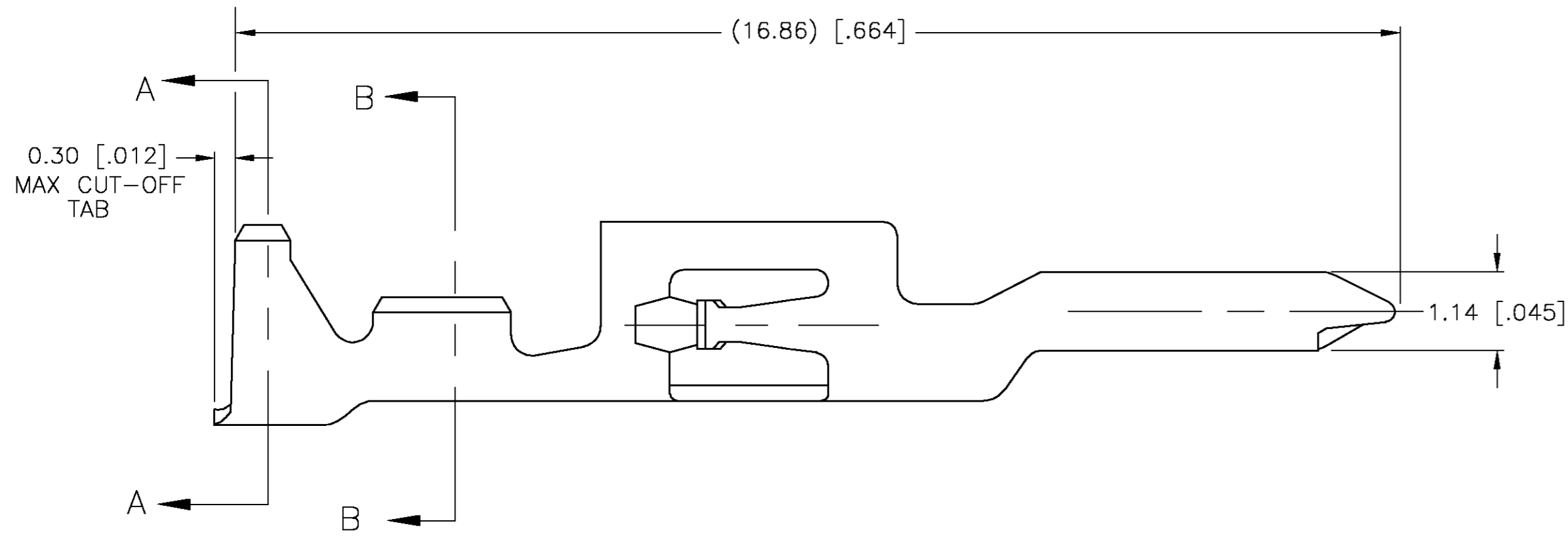
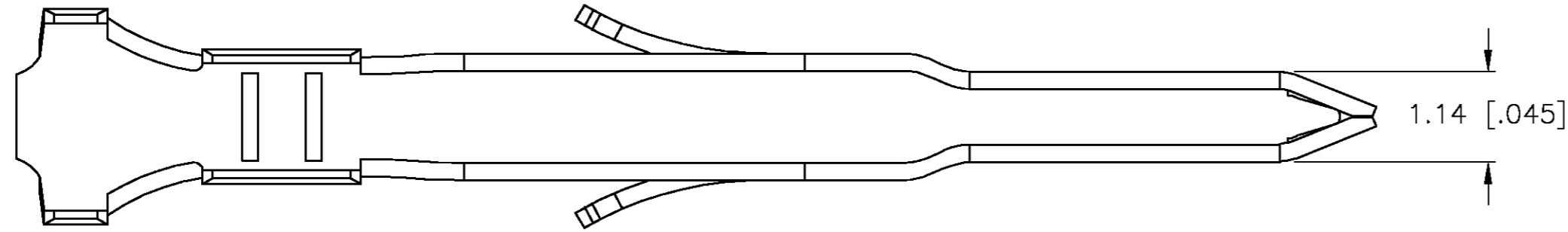


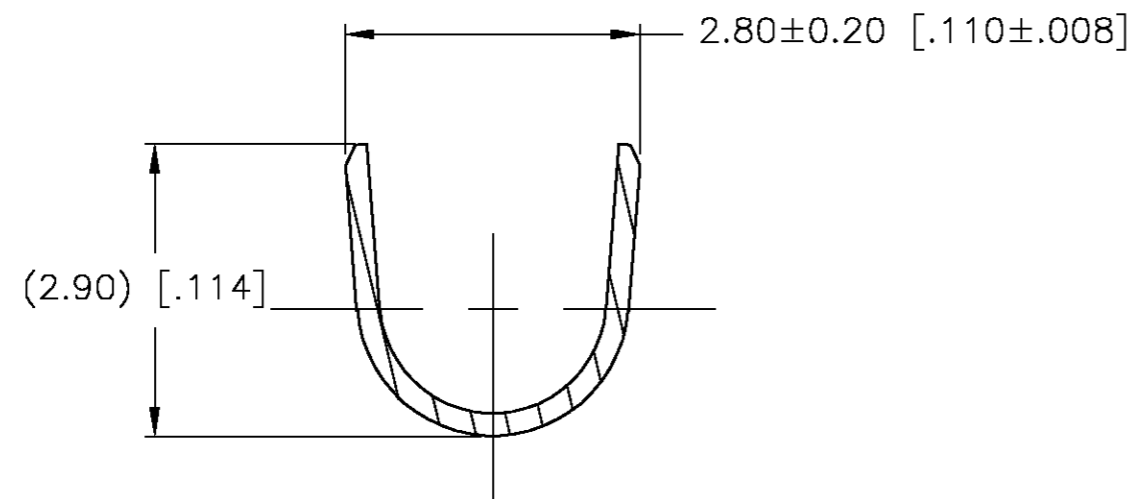
THIS DRAWING IS UNPUBLISHED. RELEASED FOR PUBLICATION
 © COPYRIGHT BY TYCO ELECTRONICS CORPORATION. ALL RIGHTS RESERVED.

LOC	DIST	REVISIONS			
P	LTR	DESCRIPTION	DATE	DWN	APVD
CM	00	A	OG3B-0888-03	30-JAN-04	SH DC

- 1.  HAND TOOL PART NUMBER 734202-3.
- 2. CONTACT EXTRACTION TOOL: 188688-1
- 3. WIRE RANGE: 0.12-0.35mm² [.005-.014in²], (22-26 AWG).
- 4. INSULATION RANGE: 1.20-1.75 [.047-.069] DIAMETER.



SECTION B-B
SCALE 14:1



SECTION A-A
SCALE 14:1

794578-1	PRE-TIN	0.22 [.009] PH BRZ.	794579-1
STRIP (REF)	FINISH	MATERIAL	PART NUMBER



THIS DRAWING IS A CONTROLLED DOCUMENT.		DWN S. HOOVER 30-JAN-2004	Tyco Electronics Corporation Harrisburg, Pa 17105-3608	
DIMENSIONS: mm [INCHES]		CHK D. COLEY 30-JAN-2004	NAME	
TOLERANCES UNLESS OTHERWISE SPECIFIED:		APVD D. COLEY 30-JAN-2004	CONTACT, MALE, AMP-DUAC™ POWER CONNECTOR LOOSE PIECE	
0 PLC ±		PRODUCT SPEC	RESTRICTED TO	
1 PLC ±		108-6067	SIZE CAGE CODE DRAWING NO	
2 PLC ±		APPLICATION SPEC	A2 00779 C=794579	
3 PLC ± 0.10 [.004]		114-6067 1	SCALE 14:1 SHEET 1 OF 1 REV A	
4 PLC ±		WEIGHT	CUSTOMER DRAWING	
ANGLES ±		FINISH		
SEE CHART		SEE CHART		